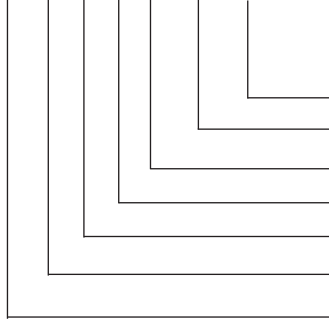
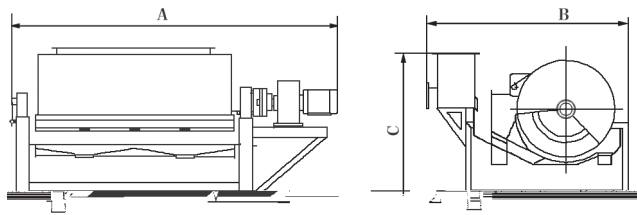
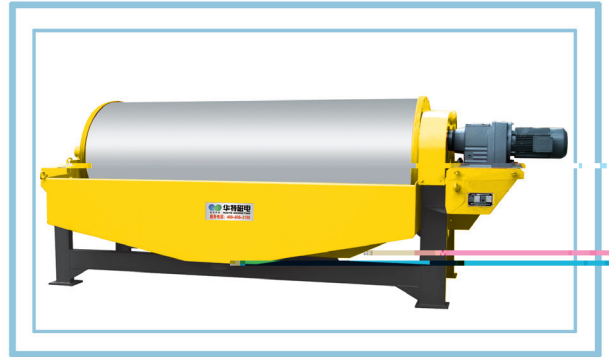


2 X C T N XX XX



Drum Length(dm)
 Drum Diameter(dm)
 Countercurrent Tank
 Drum Type
 Magnetic Separator
 Magnetic System with Rare Earth Magnetic steel
 Double- Drum Type

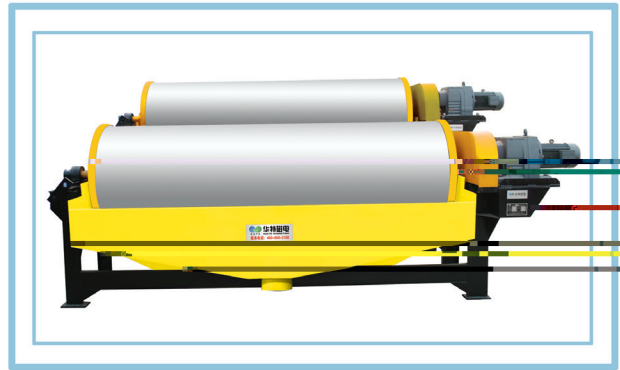
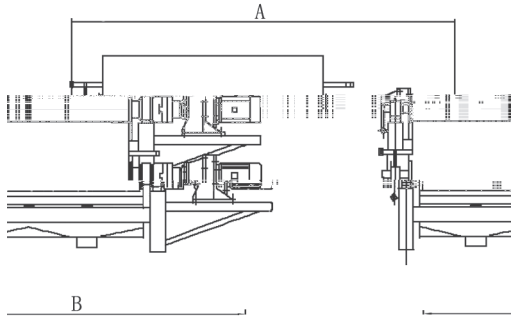


Appearance Size

General Technical Parameters:

General Technical Parameters								
Model	Drum Length (dm)	Drum Diameter (dm)	Countercurrent Tank	Drum Type	Magnetic Separator	Magnetic System with Rare Earth Magnetic steel	Double- Drum Type	Other Parameters





旋转方向
Rotary Direction

刮板

Appearance Size

Work Principle

Work Principle								
%						%		
%						%		
%						%		
%						%		
%						%		
%						%		
%						%		
%						%		
%						%		

